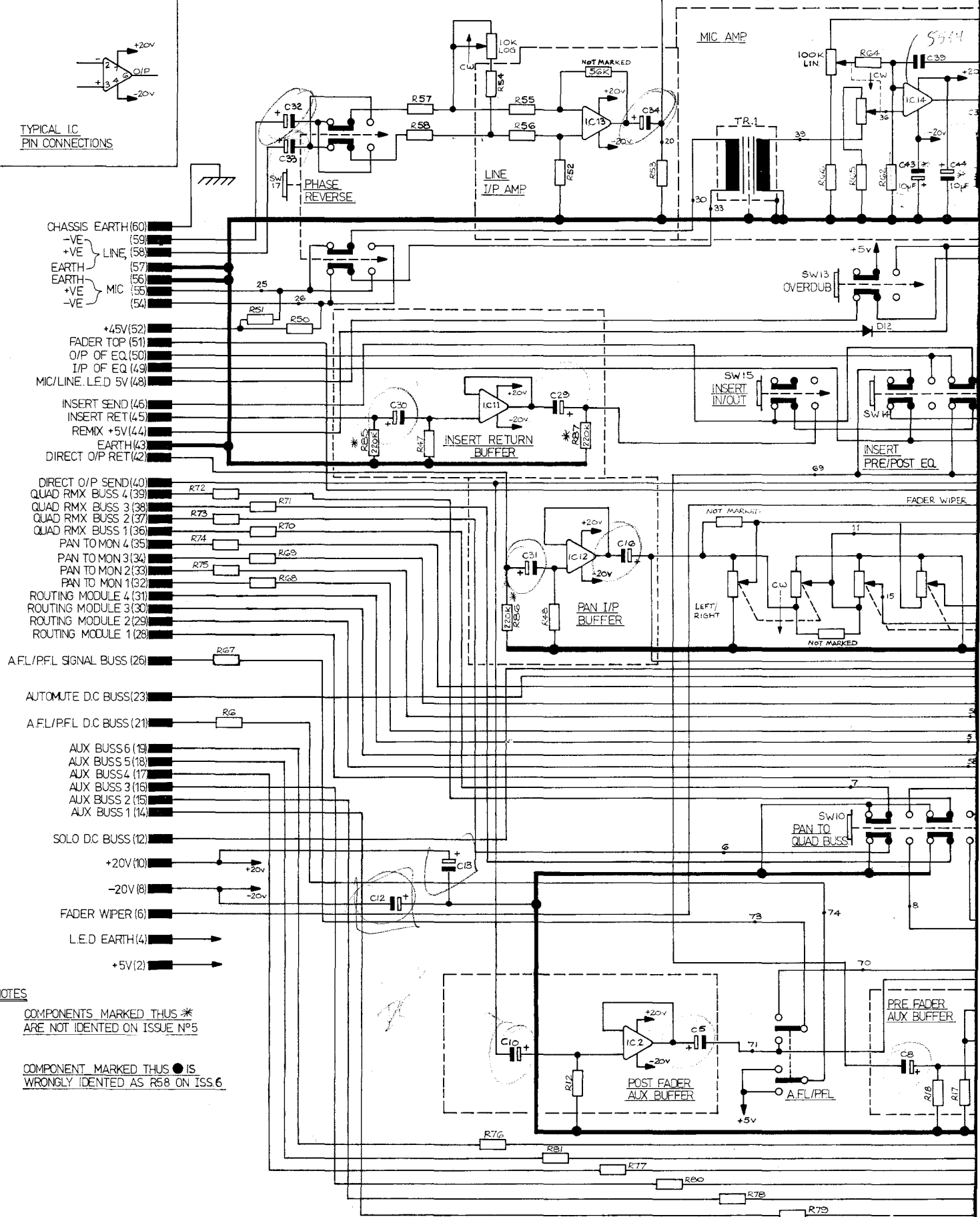


UNLESS OTHERWISE STATED ALL DIMS IN

REMOVE ALL BURRS AND SHARP EDGES

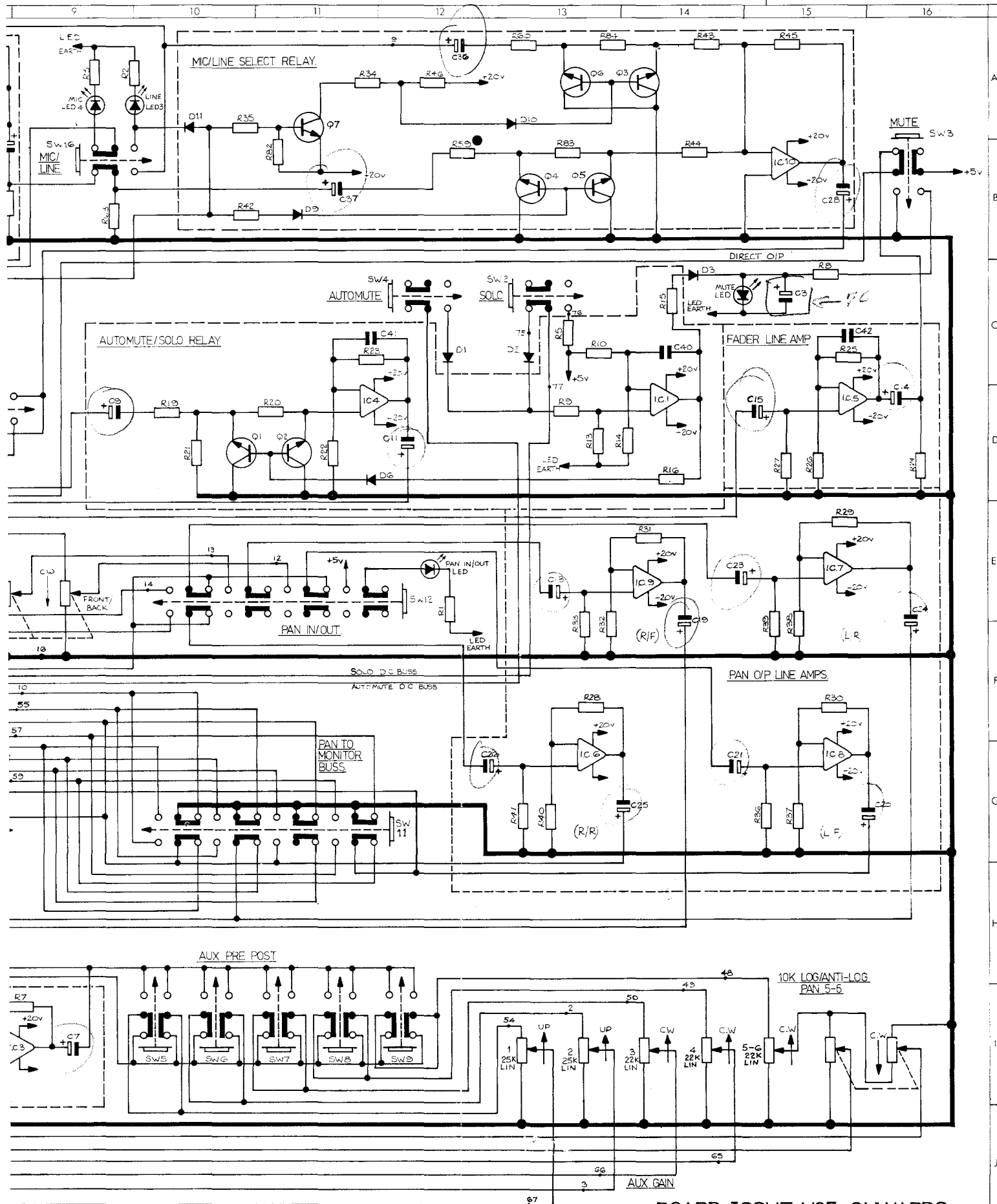
TYPICAL IC
PIN CONNECTIONS



NOTES

COMPONENTS MARKED THUS *
ARE NOT IDENTED ON ISSUE N°5

COMPONENT MARKED THUS ● IS
WRONGLY IDENTED AS R58 ON ISS.6



BOARD ISSUE N°5 ONWARDS

MATERIAL	SCALE	DRAWN	ST.W
FINISH	PROJECTION	CHK'D BY	
TOLERANCES		ISSUE	DATE
All imperial dimensions ±0.01" All metric dimensions ±0.25mm All angles ±0.50° Unless otherwise stated		2	4-6-79



TRIDENT AUDIO DEVELOPMENTS LIMITED
 SHEPPERTON STUDIOS
 SHEPPERTON
 MIDDLESEX
 Telephone Chertsey 109328 60241 Telex 27782

TITLE **TSM SERIES**
MIC/LINE MODULE
CIRCUIT DIAGRAM

DRAWING NUMBER
ED 3123

COMPONENT SCHEDULE

MODULE TSM MIC/LINE MODULE TM08

SHEET 1 OF 5



P.C.B No	DESCRIPTION	PART No
R1	120 ohm Resistor	Res-ox 120 1/2W2
R2	270 ohm "	" " 270 "
R3	120 ohm "	" " 120 "
R4	T.C.W.LINK	T.C.W.LINK
R5	6K2 Resistor	Res-ox 6K2 "
R6	T.C.W.LINK	T.C.W.LINK
R7	8K2	8K2 "
R8	270 ohm "	" " 270 "
R9	47K "	" " 47K "
R10	220K "	" " 220K "
R11		
R12	47K "	" " 47K "
R13	220K "	" " 220K "
R14	100K "	" " 100K "
R15	1K2 "	" " 1K2 "
R16	15K "	" " 15K "
R17	10K "	" " 10K "
R18	47K "	" " 47K "
R19	7K5 "	" " 7K5 "
R20	7K5 "	" " 7K5 "
R21	7K5 "	" " 7K5 "
R22	7K5 "	" " 7K5 "
R23	7K5 "	" " 7K5 "
R24	220K "	" " 220K "
R25	3K6 "	" " 3K6 "
R26	4K7 "	" " 4K7 "
R27	220K "	" " 220K "
R28	T.C.W.LINK	T.C.W.LINK
R29	"	"
R30	"	"
R31	"	"
R32	"	"
R33	470K "	" " 470K "
R34	2K2 "	" " 2K2 "
R35	18K "	" " 18K "
R36	470K "	" " 470K "

COMPONENT SCHEDULE

MODULE TSM MIC/LINE TM08

SHEET 2 OF 5



P.C.B No	DESCRIPTION	PART No
R37		-
R38		-
R39	470K Resistor	Res-ox 470K 1/2W2
R40		-
R41	470K "	" " 470K "
R42	680 ohm "	" " 680 "
R43	6K8 "	" " 6K8 "
R44	6K8 "	" " 6K8 "
R45	33K "	" " 33K "
R46	30K "	" " 30K "
R47	47K "	" " 47K "
R48	47K "	" " 47K "
R49	T.C.W.LINK	T.C.W.LINK
R50	6K8 "	" " 6K8 "
R51	6K8 "	" " 6K8 "
R52	56K "	" " 56K 0.25%
R53	220K "	" " 220K 1/2W2
R54	A0T	
R55	5K6 "	" " 5K6 0.25%
R56	5K6 "	" " 5K6 1/2W2
R57	5K6 "	" " 5K6 "
R58	5K6 "	" " 5K6 "
R59	15K "	" " 15K "
R60	20K "	" " 20K "
R61	150K "	" " 150K "
R62	12K "	" " 12K "
R63	220K "	" " 220K "
R64	2K7 "	" " 2K7 "
R65	A0T	
R66	A0T	
R67	12K "	" " 12K "
R68	12K "	" " 12K "
R69	12K "	" " 12K "
R70	12K "	" " 12K "
R71	12K "	" " 12K "
R72	12K "	" " 12K "

COMPONENT SCHEDULE

MODULE TSM MIC/LINE TM08

SHEET 3 OF 5



P.C.B No	DESCRIPTION	PART No
R73	12K Resistor	Res-ox 12K ½W2
R74	12K "	" " 12K "
R75	12K "	" " 12K "
R76	12K "	" " 12K "
R77	12K "	" " 12K "
R78	12K "	" " 12K "
R79	12K "	" " 12K "
R80	12K "	" " 12K "
R81	12K "	" " 12K "
R82	560 ohm "	" " 560 "
R83	6K2 "	" " 6K2 "
R84	6K2 "	" " 6K2 "
R85	220K "	" " 220K "
R86	220K "	" " 220K "
R87	220K "	" " 220K "
R88	56K "	" " 56K 0.25%
C1	NOT FITTED 22/25?	NOT FITTED
C2	" ✓	"
C3	" 22/25?	"
C4	" 22/25?	"
C5	100uF IOV ELEC RAD	100uF IOV ELEC RAD
C6	NOT FITTED	NOT FITTED
C7	100uF IOV ELEC RAD	CAP 100uF IOV ELEC RAD
C8	22/25V "	" 22M 25V "
C9	22/25V "	" 22M 25V "
C10	22/25V "	" 22M 25V "
C11	22/25V "	" 22M 25V "
C12	470M 25V " AXIAL DC	" 470M 25V Elec
C13	470M 25V " AXIAL DC	" 470M 25V "
C14	470M 6V "	" 470M 6V "
C15	22/25V "	" 22M 25V
C16	100uF IOV ELEC RAD	" 100uF IOV ELEC RAD
C17	NOT FITTED	NOT FITTED
C18	22/25V "	" 22M 25V "

COMPONENT SCHEDULE

MODULE TSM MIC/LINE P408

SHEET 4 OF 5



P.C.B No	DESCRIPTION	PART No
C19	100uF 10V ELEC RAD	Cap 100uF 10V ELEC RAD
C20	100uF ELEC RAD	" 100uF "
C21	22/25V "	" 22M 25V "
C22	NOT FITTED	NOT FITTED
C23	22/25V ELEC RAD	Cap 22M 25V "
C24	100uF 10V ELEC RAD	" 100uF 10V "
C25	100uF 10V "	" 100uF 10V "
C26	22/25V "	" 22M 25V "
C27	NOT FITTED	NOT FITTED
C28	100uF 10V ELEC RAD	100uF 10V "
C29	470M 6V "	Cap 470M 6V Elec
C30	22/25V "	" 22M 25V
C31	22/25V "	" 22M 25V "
C32	22/25V " <i>line in ~</i>	" 22M 25V "
C33	22/25V " <i>line in ~</i>	" 22M 25V "
C34	100uF 10V ELEC RAD <i>~</i>	100uF 10V ELEC RAD
C35	22/25V "	Cap 22M 25V "
C36	22/25V "	" 22M 25V "
C37	22/25V "	" 22M 25V "
C38	NOT FITTED	NOT FITTED
C39	15PF CER 100V "	Cap 15PF CER 100V
C40	10NF 250V "	" 10NF 250V SIE
C41	100PF 68V Ceramic	" 100PF 68V Ceramic
C42	100PF " "	" 100PF 68V "
C43	100n CER SIE	" 100n CER SIE
C44	100n " "	" "
D-1,2,3,11,	IN4002	DIO IN4002
D12,	IN4002	DIO IN4002
D-6,9,10	IN4148	DIO IN4148
Q1 to 7	TRN	TRN

