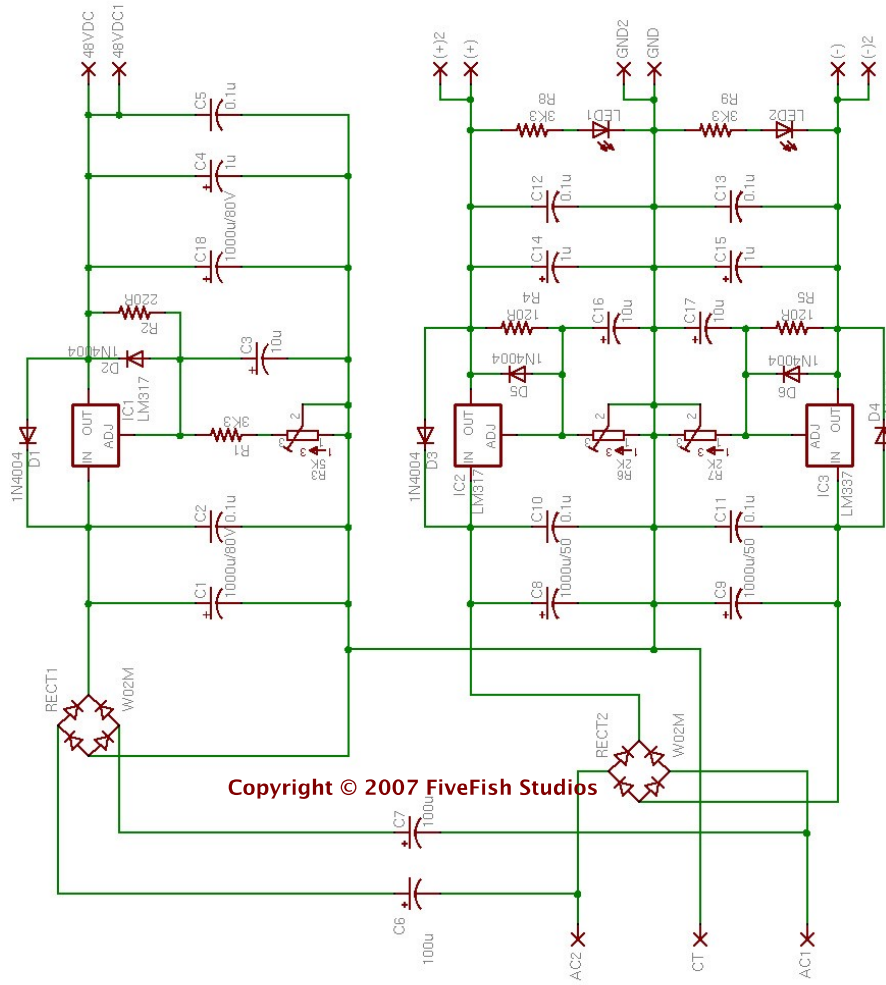


### PSU-1848 Schematic Diagram



Copyright © 2007 FiveFish Studios

REV	DATE	CHANGE HISTORY	ISSUE	REV
3	4/18/07	Use LM317 and LM337 for 18V lines	FIVEFISH AUDIO Nashville, TN	© 2005
			<b>TITLE</b>	
			Universal PSU 1848	
			<b>DATE</b>	<b>DRG N°</b>
			6/02/2007 16:19:05	
			<b>FILE:</b> SplitPSU-Rev3	<b>PAGE:</b> 1/1